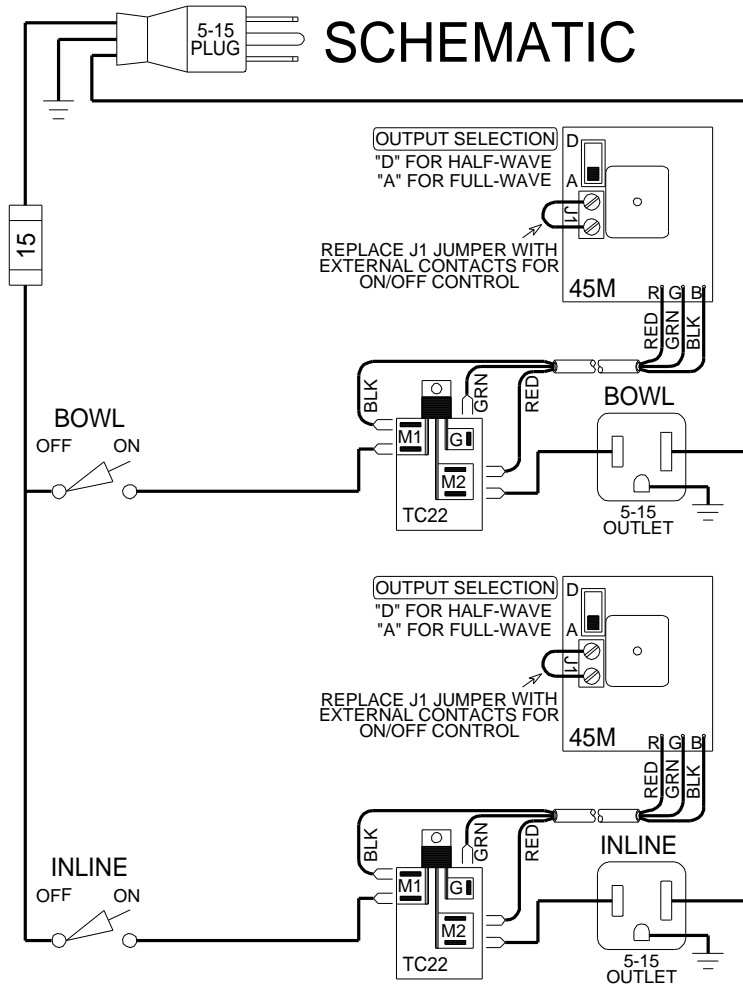


# SCHEMATIC



<b>MODEL# ED15 BI</b>		6-7-04 REV: A
15AMP / 115VAC, 50/60Hz	MH4 ENCLOSURE (NEMA1)	
ITEM DESCRIPTION	SERVICE PART #	
BOWL CONTROL	C150 (includes 45M and TC22)	
INLINE CONTROL	C150 (includes 45M and TC22)	
NOTES:		

